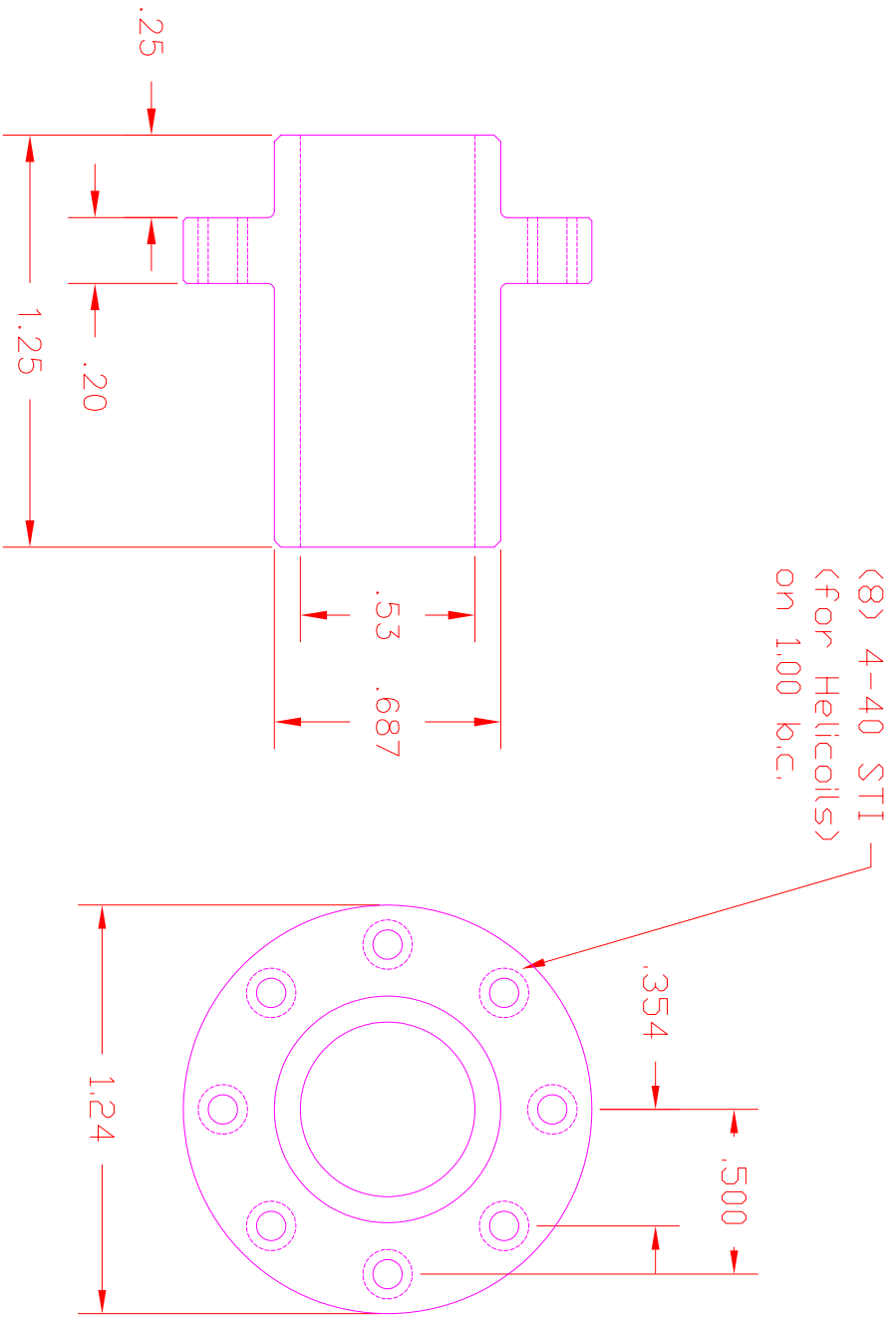


REV	DESCRIPTION	REVISIONS	NAME	DATE



note: bore inner hole to 0.542 AFTER nickel plating

MATERIAL		UNLESS OTHERWISE SPECIFIED TOLERANCES ARE:		RADIO ASTRONOMY LABORATORY	
OFHC Cu		X ±	FRAC. ±	UNIVERSITY OF CALIFORNIA - BERKELEY	
FINISH		.XX ±	ANGLE ±	BIMA cryocooler	
		.XXX ±	FINISH	3rd stage heat sta.	
		NAME	DATE	SIZE	
			12Jun95	C	
		DRWN		CODE	28-024 D
		APPR		DWG NO	
		WEIGHT	SCALE	SHEET	DF
				REV	