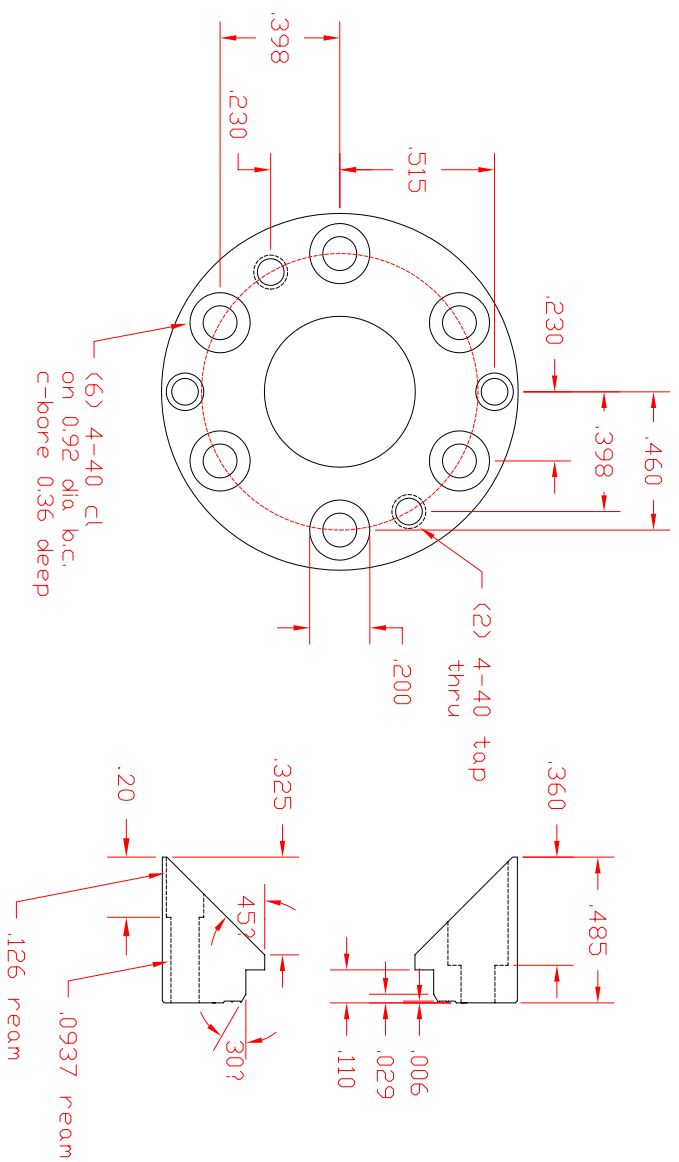
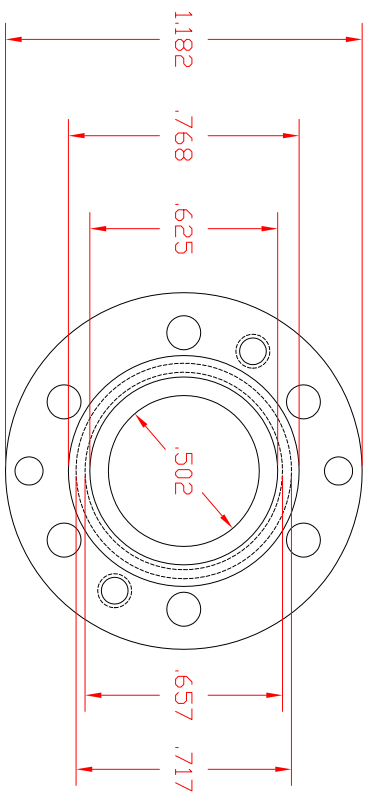


REV	DESCRIPTION	REVISIONS	NAME	DATE



28-023 E1



note: at .657 and .717 diam,
leave narrow raised lip .003 high

28-023 E2

MATERIAL		UNLESS OTHERWISE SPECIFIED		RADIO ASTRONOMY LABORATORY	
304 SS		TOLERANCES ARE:		UNIVERSITY OF CALIFORNIA - BERKELEY	
FINISH		X ±	FRAC. ±	BIMA cryocooler	
		.XX ±	ANGLE ±	Bal-Seal clamp ring	
		.XXX ±	FINISH	DATE	12Jun95
DRWN	NAME	DATE	SCALE	SIZE	C
APPR				CODE	28-024 E
WEIGHT				DWG NO	28-024 E
				SHEET	DF
				REV	