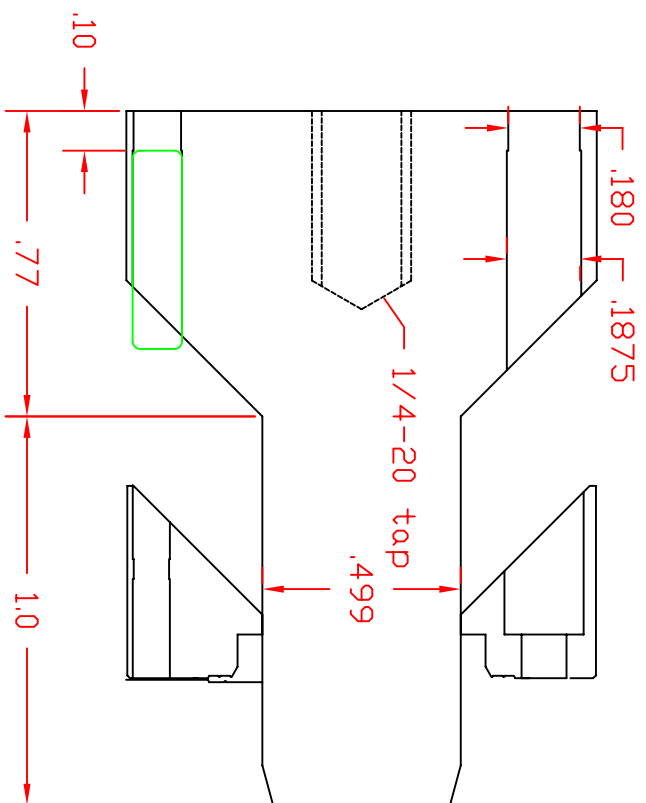
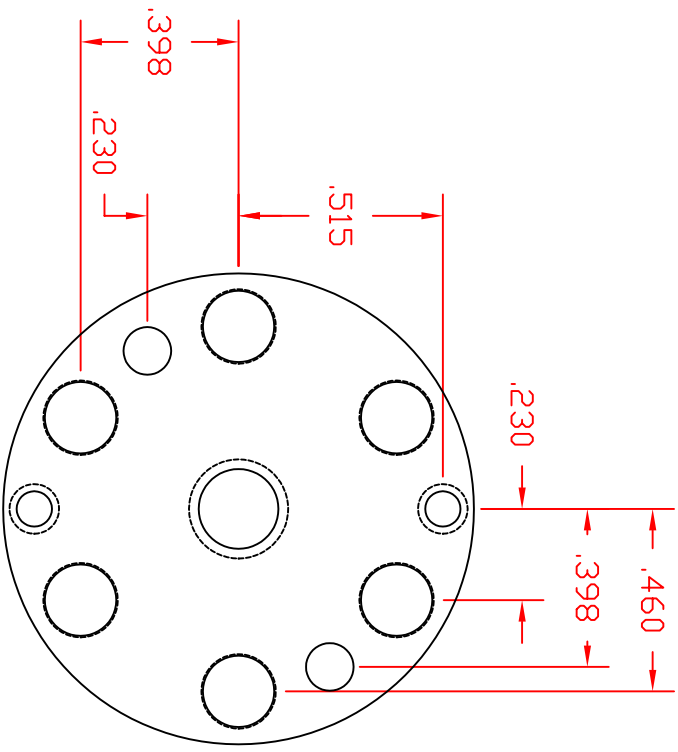


REV	DESCRIPTION	NAME	DATE



MATERIAL		UNLESS OTHERWISE SPECIFIED TOLERANCES ARE:		RADIO ASTRONOMY LABORATORY	
Delrin		X ±	FRACTION	UNIVERSITY OF CALIFORNIA - BERKELEY	
FINISH		.XX ±	ANGLE	BIMA cryocooler	
		.XXX ±	FINISH	seal insertion tool	
		NAME	DATE	SIZE	
		DRWN		CODE	
		APPR		DWG NO	28-024 G
		WEIGHT	SCALE	SHEET	OF
				REV	